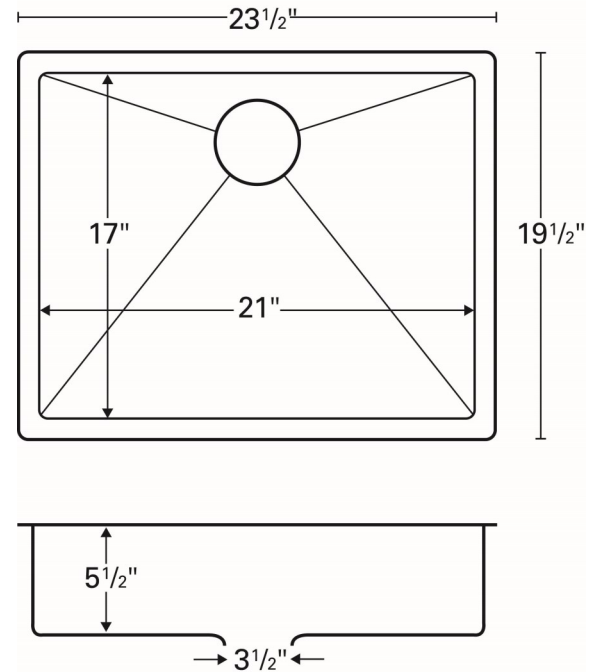


Karran Edge Series stainless steel sinks are manufactured from durable 18 gauge stainless steel that makes them tough and resilient to even the toughest daily tasks. Each Edge sink has a patented resin matrix rim that allows it to be seamlessly integrated into all laminate and solid surface countertop materials. Seamless integration is the most hygienic way to install a sink into a countertop in both residential and commercial applications.

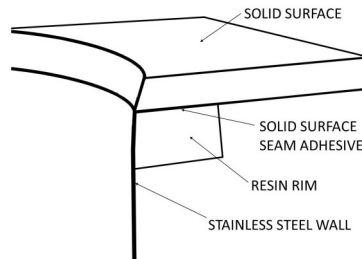
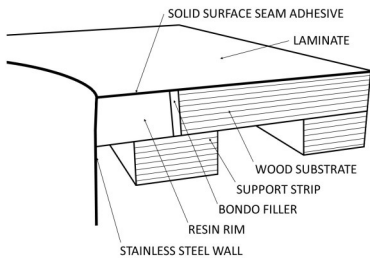
<b>Series:</b>	Edge 500 Series
<b>Material:</b>	18 Gauge, Type 304 stainless steel
<b>Installation Type:</b>	Seamless undermount
<b>Configuration / Style:</b>	ADA compliant single bowl sink
<b>Finish:</b>	Soft satin brushed finish
<b>Overall dimensions:</b>	23-1/2" x 19-1/2"
<b>Bowl dimensions:</b>	21" x 17" x 5-1/2"
<b>Drain size:</b>	3-1/2"
<b>Min. cabinet size:</b>	27"
<b>Template included:</b>	No
<b>Clips included:</b>	No
<b>Accessories included:</b>	No



**INSTALLATION OPTIONS**

**IN LAMINATE**

**IN SOLID SURFACE**



**PROJECT INFORMATION**

PROJECT: \_\_\_\_\_  
CONTACT: \_\_\_\_\_  
DATE: \_\_\_\_\_  
NOTES: \_\_\_\_\_

**APPROVAL:**

**RECOMMENDED TOOLING FOR INSTALLATION**

- 10° Bevel bit [BITLAM]-Laminate installs
- 24° Bevel bit [BITSS24]-Solid surface Installs
- Seam adhesive [BRISA]
- Adhesive gun [AG]
- Non-woven flap wheel [FLAP3X2FINE]

**OPTIONAL ACCESSORIES**

- Stainless steel basket strainer [L-1]
- Stainless steel basket strainer [L-2]
- Stainless steel disposal flange [L-2DF]
- Sink grid [GR-1002]

We reserve the right to update product specifications without notice. Please visit [karran.com](http://karran.com) for the most current specification sheets. All dimensions are accurate to 1/4". REV 05-2022