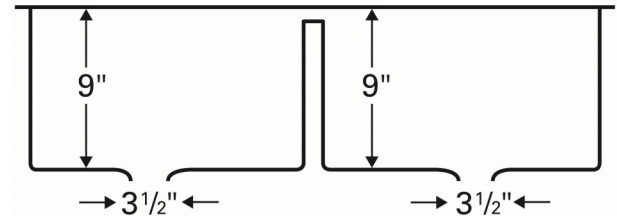
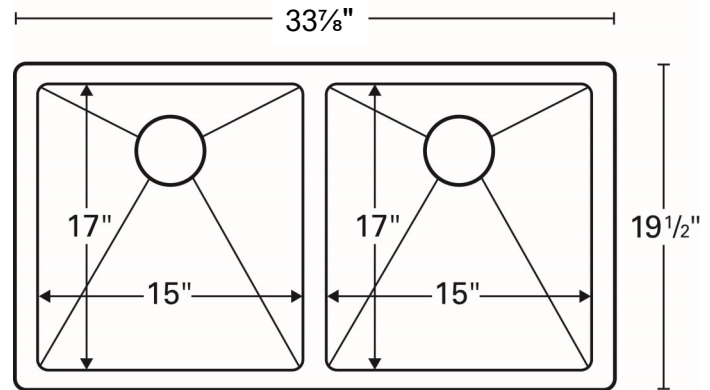


Karran Edge Series stainless steel sinks are manufactured from durable 18 gauge stainless steel that makes them tough and resilient to even the toughest daily tasks. Each Edge sink has a patented resin matrix rim that allows it to be seamlessly integrated into all laminate and solid surface countertop materials. Seamless integration is the most hygienic way to install a sink into a countertop in both residential and commercial applications.

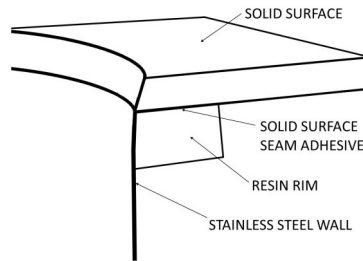
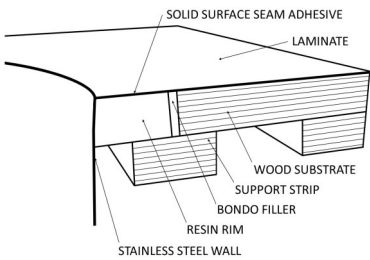
| | |
|-------------------------------|------------------------------------|
| Series: | Edge 500 Series |
| Material: | 18 Gauge, Type 304 stainless steel |
| Installation Type: | Seamless undermount |
| Configuration / Style: | Double equal bowl sink |
| Finish: | Soft satin brushed finish |
| Overall dimensions: | 33-7/8" x 19-1/2" |
| Left bowl dimensions: | 15" x 17" x 9" |
| Right bowl dimensions: | 15" x 17" x 9" |
| Drain size: | 3-1/2" |
| Min. cabinet size: | 36" |
| Template included: | No |
| Clips included: | No |
| Accessories included: | No |



INSTALLATION OPTIONS

IN LAMINATE

IN SOLID SURFACE



PROJECT INFORMATION

PROJECT: _____
CONTACT: _____
DATE: _____
NOTES: _____

APPROVAL: _____

RECOMMENDED TOOLING FOR INSTALLATION

- 10° Bevel bit [BITLAM]-Laminate installs
- 24° Bevel bit [BITSS24]-Solid surface Installs
- Seam adhesive [BRISA]
- Adhesive gun [AG]
- Non-woven flap wheel [FLAP3X2FINE]

OPTIONAL ACCESSORIES

- Stainless steel basket strainer [L-1]
- Stainless steel basket strainer [L-2]
- Stainless steel disposal flange [L-2DF]
- Sink grid [GR-1004]

We reserve the right to update product specifications without notice. Please visit karran.com for the most current specification sheets. All dimensions are accurate to 1/4". REV 05-2022