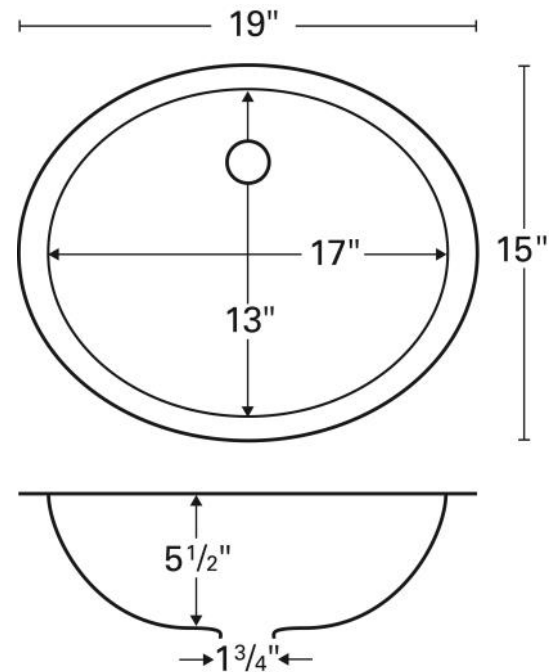


Karran quartz sinks are manufactured from durable quartz composite material that makes them incredibly tough and resilient to even the toughest daily tasks. They contain 80% natural quartz crystals and 20% high performance acrylic resins. These materials provide high scratch, stain, chip and heat resistance. This seamless model can mount seamlessly in laminate and solid surface countertops and is available in a selection of 6 elegant color choices and 6 bold premium color options.

Series:	Quartz Q Series
Material:	80% quartz / 20% acrylic resin
Installation Type:	Seamless undermount
Configuration:	Oval
Overall dimensions:	19" x 15"
Left bowl dimensions:	17" x 13" x 5-1/2"
Drain size:	1-3/4"
Min. cabinet size:	21"
Template included:	No
Clips included:	No
Finishes / Colors:	Bisque, Concrete, White, Black, Grey, Brown, Red, Green, Blue, Purple, Yellow, Orange

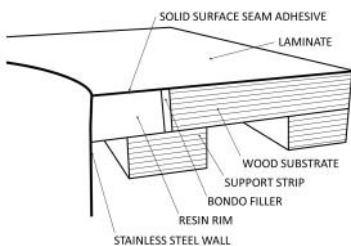


Sinks are listed with IAPMO and meet the requirements of the Uniform Plumbing Code, International Plumbing Code and the National Plumbing Code of Canada.

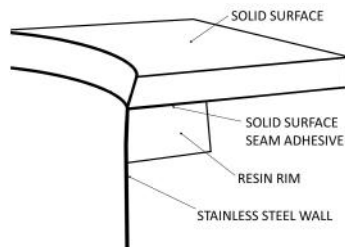


INSTALLATION OPTIONS

IN LAMINATE



IN SOLID SURFACE



PROJECT INFORMATION

PROJECT: _____
 CONTACT: _____
 DATE: _____
 NOTES: _____

APPROVAL:

RECOMMENDED TOOLING FOR INSTALLATION

- 10° Bevel bit [BITLAM]-Laminate installs
- 24° Bevel bit [BITSS24]-Solid surface Installs
- Seam adhesive [BRISA, BLSSA, WHISA, BISSA]
- Adhesive gun [AG]

OPTIONAL ACCESSORIES

- Pop-up drain without overflow [PU25SS, PU25MB, PU25C]

We reserve the right to update product specifications without notice. Please visit karran.com for the most current specification sheets. All dimensions are accurate to 1/4". REV 5-2022