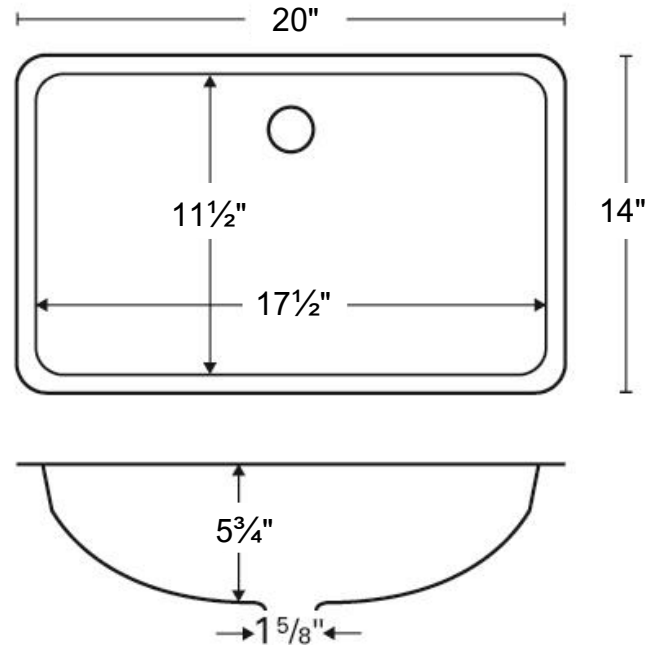


Karran quartz sinks are manufactured from durable quartz composite material that makes them incredibly tough and resilient to even the toughest daily tasks. They contain 80% natural quartz crystals and 20% high performance acrylic resins. These materials provide high scratch, stain, chip and heat resistance. This seamless model can mount seamlessly in laminate and solid surface countertops and is available in a selection of 6 elegant color choices and 6 bold premium color options.

<b>Series:</b>	Quartz Q Series
<b>Material:</b>	80% quartz / 20% acrylic resin
<b>Installation Type:</b>	Seamless undermount
<b>Configuration:</b>	Rectangle
<b>Overall dimensions:</b>	20" x 14"
<b>Left bowl dimensions:</b>	17-1/2" x 11-1/2" x 5-3/4"
<b>Drain size:</b>	1-3/4"
<b>Min. cabinet size:</b>	24"
<b>Template included:</b>	No
<b>Clips included:</b>	No
<b>Finishes / Colors:</b>	Bisque, Concrete, White, Black, Grey, Brown, Red, Green, Blue, Purple, Yellow, Orange

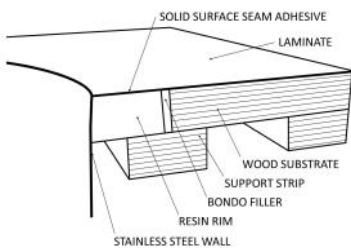


Sinks are listed with IAPMO and meet the requirements of the Uniform Plumbing Code, International Plumbing Code and the National Plumbing Code of Canada.

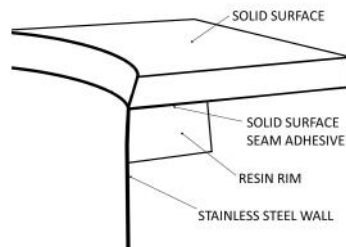


**INSTALLATION OPTIONS**

**IN LAMINATE**



**IN SOLID SURFACE**



**PROJECT INFORMATION**

PROJECT: \_\_\_\_\_  
 CONTACT: \_\_\_\_\_  
 DATE: \_\_\_\_\_  
 NOTES: \_\_\_\_\_  
 \_\_\_\_\_  
 \_\_\_\_\_

**APPROVAL:**

**RECOMMENDED TOOLING FOR INSTALLATION**

- 10° Bevel bit [BITLAM]-Laminate installs
- 24° Bevel bit [BITSS24]-Solid surface Installs
- Seam adhesive [BRISA, BLSSA, WHISA, BISSA]
- Adhesive gun [AG]

**OPTIONAL ACCESSORIES**

- Pop-up drain without overflow [PU25SS, PU25MB, PU25C]

We reserve the right to update product specifications without notice. Please visit [karran.com](http://karran.com) for the most current specification sheets. All dimensions are accurate to 1/4". REV 5-2022