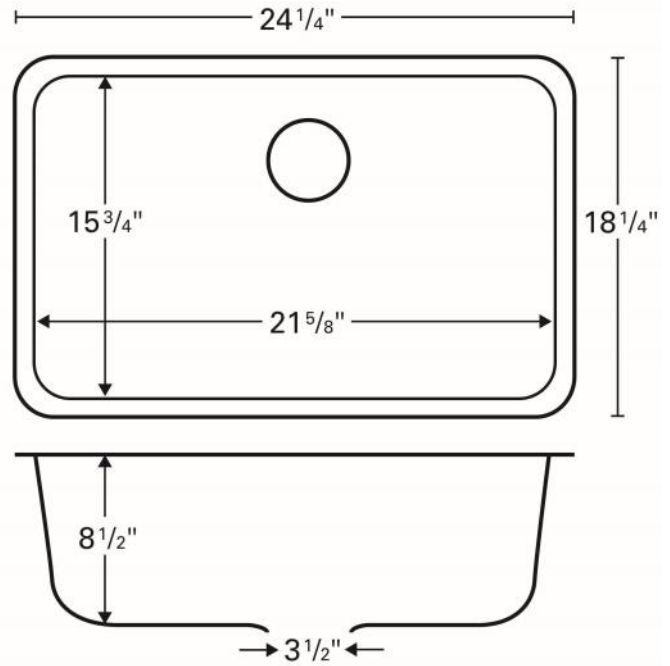


Karran quartz sinks are manufactured from durable quartz composite material that makes them incredibly tough and resilient to even the toughest daily tasks. They contain 80% natural quartz crystals and 20% high performance acrylic resins. These materials provide high scratch, stain, chip and heat resistance. This seamless model can mount seamlessly in laminate and solid surface countertops and is available in a selection of 6 elegant color choices.

<b>Series:</b>	Quartz Q Series
<b>Material:</b>	80% quartz / 20% acrylic resin
<b>Installation Type:</b>	Seamless undermount
<b>Configuration:</b>	Single bowl
<b>Overall dimensions:</b>	24-1/4" x 18-1/4"
<b>Left bowl dimensions:</b>	21-5/8" x 15-3/4" x 8-1/2"
<b>Drain size:</b>	3-1/2"
<b>Min. cabinet size:</b>	27"
<b>Template included:</b>	No
<b>Clips included:</b>	No
<b>Finishes / Colors:</b>	Bisque, Concrete, White, Black, Grey, Brown



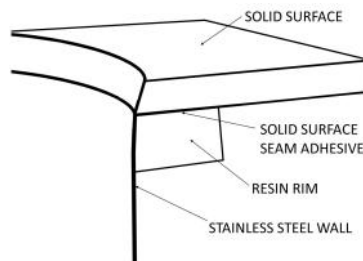
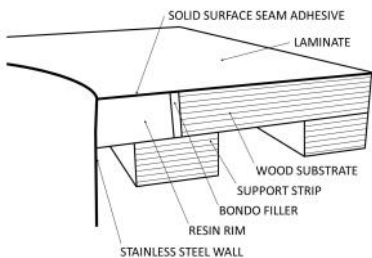
Sinks are listed with IAPMO and meet the requirements of the Uniform Plumbing Code, International Plumbing Code and the National Plumbing Code of Canada.



**INSTALLATION OPTIONS**

**IN LAMINATE**

**IN SOLID SURFACE**



**PROJECT INFORMATION**

PROJECT: \_\_\_\_\_  
 CONTACT: \_\_\_\_\_  
 DATE: \_\_\_\_\_  
 NOTES: \_\_\_\_\_  
 \_\_\_\_\_  
 \_\_\_\_\_

**APPROVAL:**

**RECOMMENDED TOOLING FOR INSTALLATION**

- 10° Bevel bit [BITLAM]- For Laminate
- 24° Bevel bit [BITSS24]-For Solid surface
- Seam adhesive [BRISA, BLSSA, WHISA, BISSA]
- Adhesive gun [AG]

**OPTIONAL ACCESSORIES**

MODELS	STRAINER/FLANGE	GRID
• Q-320-WH	QBSWH/QDFWH	GR-3005
• Q-320-BS	QBSBI/QDFBI	GR-3005
• Q-320-BL	QBSBL/QDFBL	GR-3005
• Q-320-BR	QBSBR/QDFBR	GR-3005
• Q-320-CN	QBSCN/QDFCN	GR-3005
• Q-320-GR	QBSGR/QDFGR	GR-3005

We reserve the right to update product specifications without notice. Please visit [karran.com](http://karran.com) for the most current specification sheets. All dimensions are accurate to 1/4". REV 5-2022