

Karran quartz sinks are manufactured from durable quartz composite material that makes them incredibly tough and resilient to even the toughest daily tasks. They contain 80% natural quartz crystals and 20% high performance acrylic resins. These materials provide high scratch, stain, chip and heat resistance. This seamless model can mount seamlessly in laminate and solid surface countertops and is available in a selection of 6 elegant color choices.

Series:	Quartz Q Series
Material:	80% quartz / 20% acrylic resin
Installation Type:	Seamless undermount
Configuration:	Double bowl
Overall dimensions:	32-3/8" x 19"
Right bowl dimensions:	14-1/8" x 16-1/2" x 8-1/2"
Left bowl dimensions:	14-1/8" x 16-1/2" x 8-1/2"
Drain size:	3-1/2"
Min. cabinet size:	36"
Template included:	No
Clips included:	No
Finishes / Colors:	Bisque, Concrete, White, Black, Grey, Brown



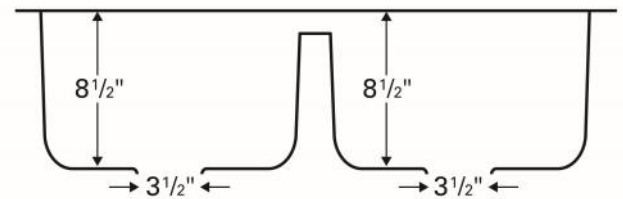
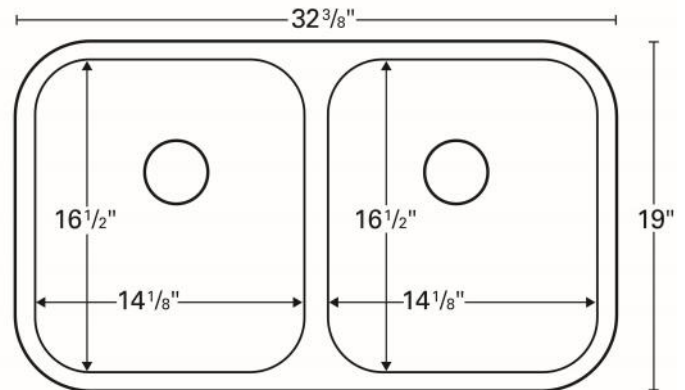
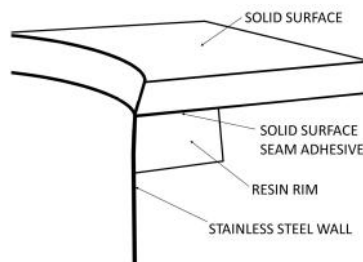
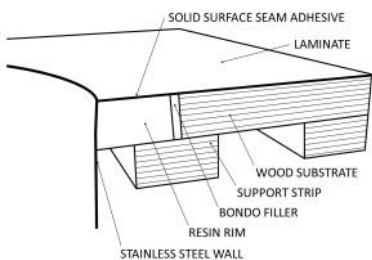
Sinks are listed with IAPMO and meet the requirements of the Uniform Plumbing Code, International Plumbing Code and the National Plumbing Code of Canada.



INSTALLATION OPTIONS

IN LAMINATE

IN SOLID SURFACE



PROJECT INFORMATION

PROJECT: _____
CONTACT: _____
DATE: _____
NOTES: _____

APPROVAL:

RECOMMENDED TOOLING FOR INSTALLATION

- 10° Bevel bit [BITLAM] - For laminate
- 24° Bevel bit [BITSS24] -For solid surface
- Seam adhesive [BRISA, BLSSA, WHISA, BISSA]
- Adhesive gun [AG]

OPTIONAL ACCESSORIES

MODELS	STRAINER/FLANGE	GRID
• Q-350-WH	QBSWH/QDFWH	GR-3001
• Q-350-BS	QBSBI/QDFBI	GR-3001
• Q-350-BL	QBSBL/QDFBL	GR-3001
• Q-350-BR	QBSBR/QDFBR	GR-3001
• Q-350-CN	QBSCN/QDFCN	GR-3001
• Q-350-GR	QBSGR/QDFGR	GR-3001

We reserve the right to update product specifications without notice. Please visit karran.com for the most current specification sheets. All dimensions are accurate to 1/4". REV 5-2022