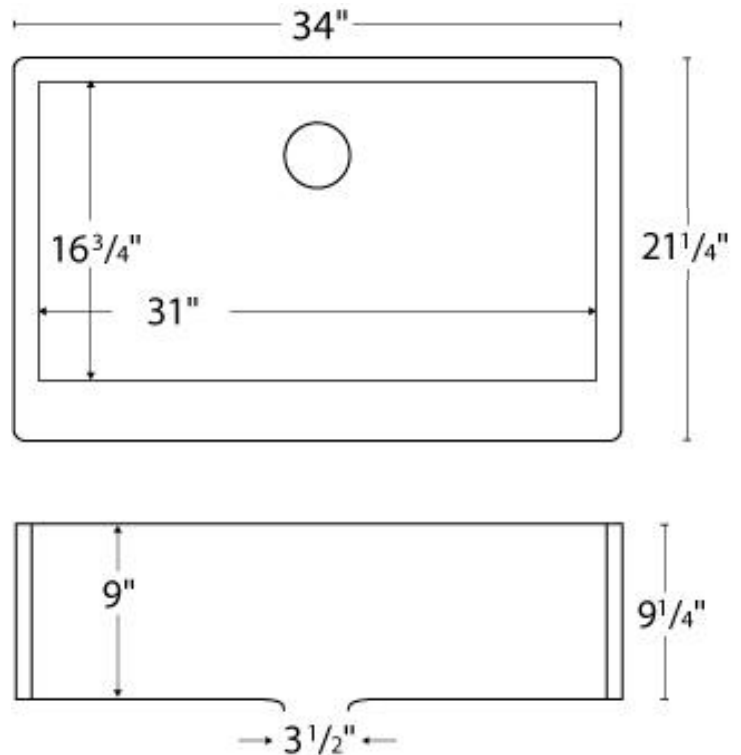


Karran quartz farmhouse sinks are manufactured from durable quartz composite material that makes them incredibly tough and resilient to even the toughest daily kitchen tasks. They contain 80% natural quartz crystals and 20% high performance acrylic resins. These materials provide high scratch, stain, chip and heat resistance. This undermount design features a flat, integrated 9-1/4" deep apron.

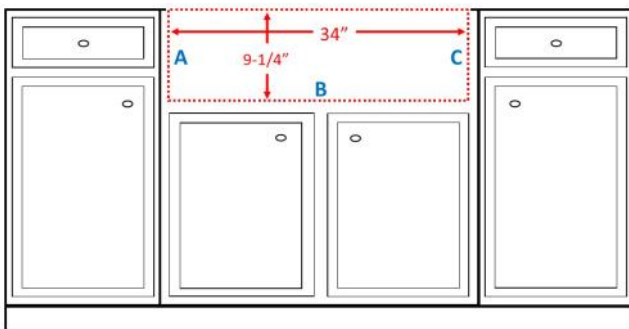
Series:	Quartz QA Series
Material:	80% quartz / 20% acrylic resin
Installation Type:	Apron front
Configuration:	Single bowl
Overall dimensions:	34" x 21-1/4"
Apron depth:	9-1/4"
Bowl dimensions:	31" x 16-3/4" x 9"
Drain size:	3-1/2"
Min. cabinet size:	36"
Finishes / Colors:	Bisque, Concrete, White, Black, Grey, Brown



Sinks are listed with IAPMO and meet the requirements of the Uniform Plumbing Code, International Plumbing Code and the National Plumbing Code of Canada.



INSTALLATION METHOD



PROJECT INFORMATION

PROJECT: _____
 CONTACT: _____
 DATE: _____
 NOTES: _____

APPROVAL:

OPTIONAL ACCESSORIES

MODELS	COLOR	STRAINER	FLANGE	GRIDS
• QA-740-WH	White	QBSWH	QDFWH	GR-6001
• QA-740-BI	Bisque	QBSBI	QDFBI	GR-6001
• QA-740-BL	Black	QBSBL	QDFBL	GR-6001
• QA-740-BR	Brown	QBSBR	QDFBR	GR-6001
• QA-740-CN	Concrete	QBSCN	QDFCN	GR-6001
• QA-740-GR	Grey	QBSGR	QDFGR	GR-6001

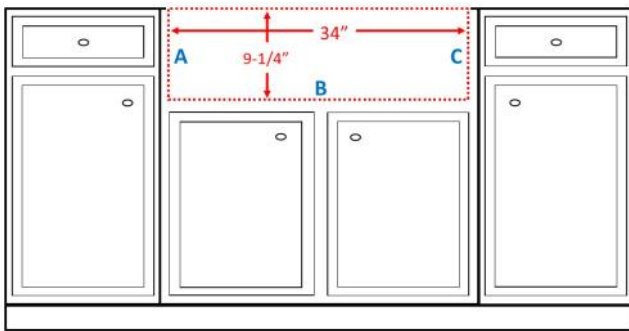
We reserve the right to update product specifications without notice. Please visit karran.com for the most current specification sheets. All dimensions are accurate to 1/4". REV 5-2022

Karran quartz sinks are manufactured from durable quartz composite material that makes them incredibly tough and resilient to even the toughest daily kitchen tasks. They contain 80% natural quartz crystals and 20% high performance acrylic resins. These materials provide high scratch, stain, chip and heat resistance. The undermount design features a flat, integrated 9-1/4" deep apron. This sink kit comes complete with stainless steel bottom grid, stainless steel basket strainer and Luster Pro oil.

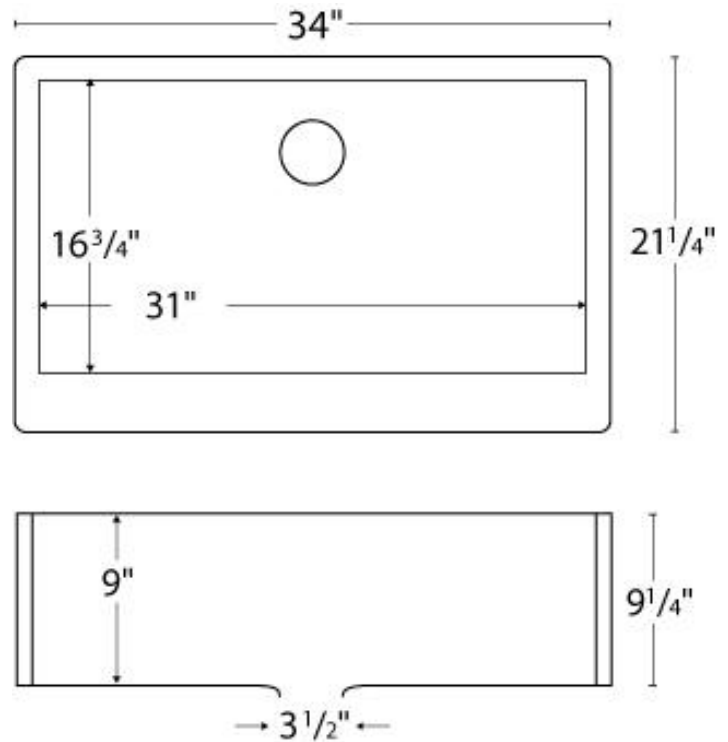
Series:	Quartz QA Series
Material:	80% quartz / 20% acrylic resin
Installation Type:	Apron front
Configuration:	Single bowl
Overall dimensions:	34" x 21-1/4"
Apron depth:	9-1/4"
Bowl dimensions:	31" x 16-3/4" x 9"
Drain size:	3-1/2"
Min. cabinet size:	36"
Accessories included:	Stainless steel bottom grid, stainless steel basket strainer, Luster Pro oil
Finishes / Colors:	Bisque, Concrete, White, Black, Grey, Brown



INSTALLATION METHOD



Sinks are listed with IAPMO and meet the requirements of the Uniform Plumbing Code, International Plumbing Code and the National Plumbing Code of Canada.



PROJECT INFORMATION

PROJECT: _____
 CONTACT: _____
 DATE: _____
 NOTES: _____

APPROVAL:

OPTIONAL ACCESSORIES

MODELS	COLOR	STRAINER	FLANGE
• QA-740-WH	White	QBSWH	QDFWH
• QA-740-BI	Bisque	QBSBI	QDFBI
• QA-740-BL	Black	QBSBL	QDFBL
• QA-740-BR	Brown	QBSBR	QDFBR
• QA-740-CN	Concrete	QBSCN	QDFCN
• QA-740-GR	Grey	QBSGR	QDFGR

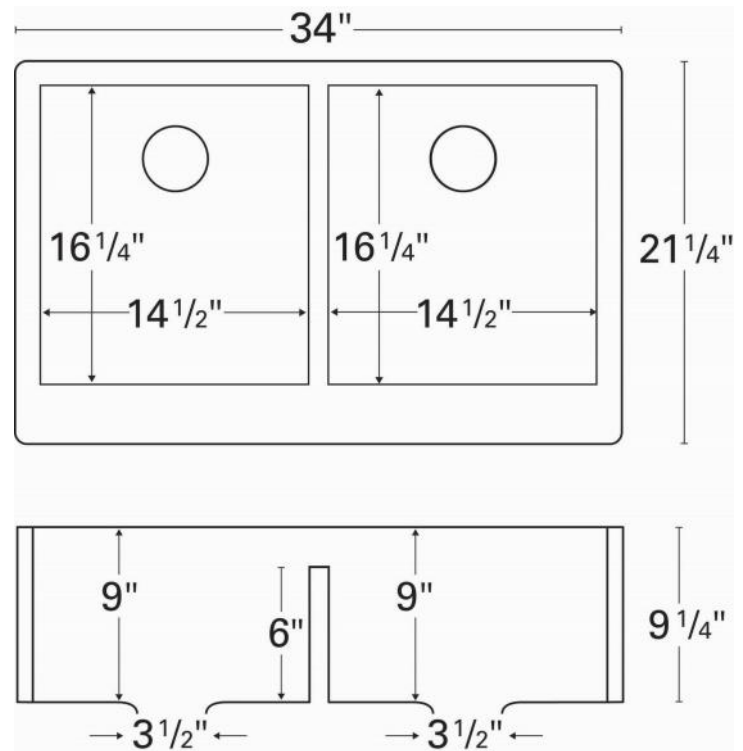
We reserve the right to update product specifications without notice. Please visit karran.com for the most current specification sheets. All dimensions are accurate to 1/4". REV 5-2022

Karran quartz farmhouse sinks are manufactured from durable quartz composite material that makes them incredibly tough and resilient to even the toughest daily kitchen tasks. They contain 80% natural quartz crystals and 20% high performance acrylic resins. These materials provide high scratch, stain, chip and heat resistance. This undermount design features a flat, integrated 9-1/4" deep apron.

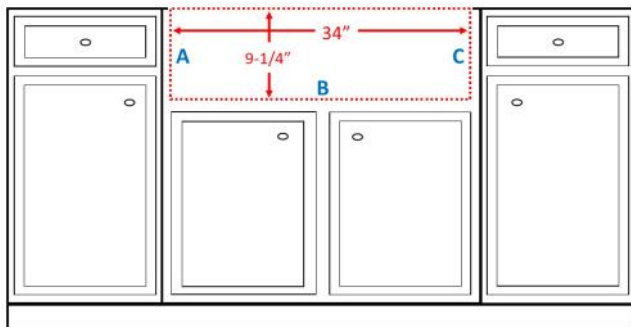
Series:	Quartz QA Series
Material:	80% quartz / 20% acrylic resin
Installation Type:	Apron front
Configuration:	Double equal bowl
Overall dimensions:	34" x 21-1/4"
Apron depth:	9-1/4"
Left bowl dimensions:	14-1/2" x 16-1/4" x 9"
Right bowl dimensions:	14-1/2" x 16-1/4" x 9"
Drain size:	3-1/2"
Min. cabinet size:	36"
Finishes / Colors:	Bisque, Concrete, White, Black, Grey, Brown



Sinks are listed with IAPMO and meet the requirements of the Uniform Plumbing Code, International Plumbing Code and the National Plumbing Code of Canada.



INSTALLATION METHOD



PROJECT INFORMATION

PROJECT: _____
 CONTACT: _____
 DATE: _____
 NOTES: _____

APPROVAL:

OPTIONAL ACCESSORIES

MODELS	COLOR	STRAINER	FLANGE	GRIDS
• QA-750-WH	White	QBSWH	QDFWH	GR-6002
• QA-750-BI	Bisque	QBSBI	QDFBI	GR-6002
• QA-750-BL	Black	QBSBL	QDFBL	GR-6002
• QA-750-BR	Brown	QBSBR	QDFBR	GR-6002
• QA-750-CN	Concrete	QBSCN	QDFCN	GR-6002
• QA-750-GR	Grey	QBGR	QDFGR	GR-6002

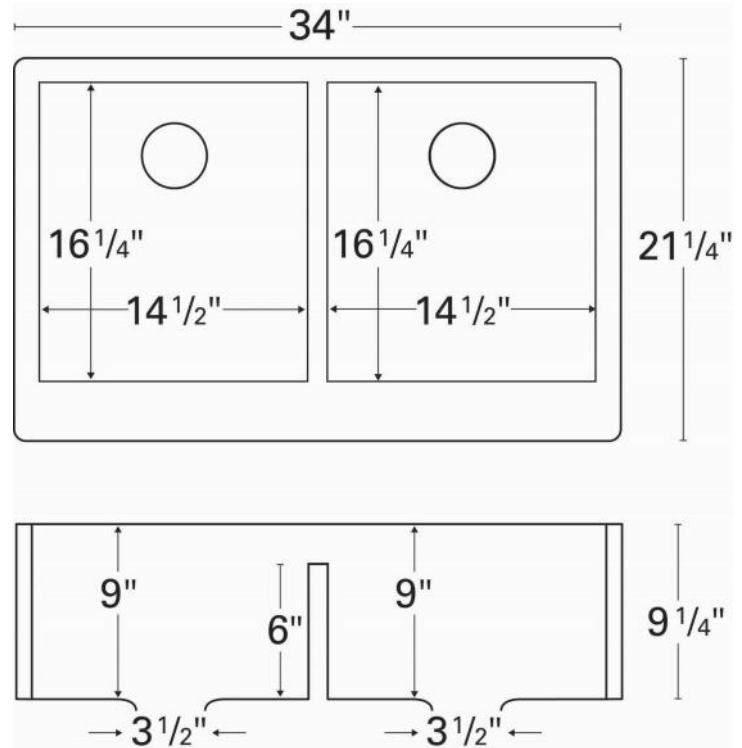
We reserve the right to update product specifications without notice. Please visit karran.com for the most current specification sheets. All dimensions are accurate to 1/4". REV 5-2022

Karran quartz sinks are manufactured from durable quartz composite material that makes them incredibly tough and resilient to even the toughest daily kitchen tasks. They contain 80% natural quartz crystals and 20% high performance acrylic resins. These materials provide high scratch, stain, chip and heat resistance. The under-mount design features a flat, integrated 9-1/4" deep apron. This sink kit comes complete with stainless steel bottom grids, stainless steel basket strainers and Luster Pro oil.

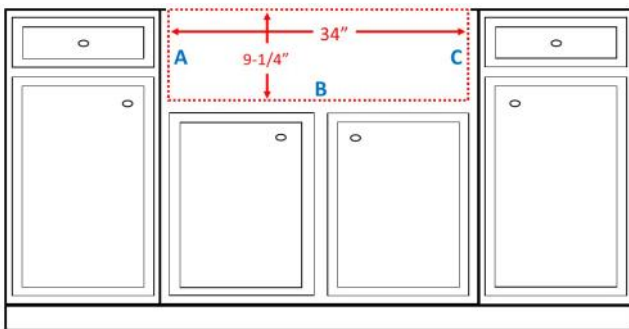
Series:	Quartz QA Series
Material:	80% quartz / 20% acrylic resin
Installation Type:	Apron front
Configuration:	Double equal bowl
Overall dimensions:	34" x 21-1/4"
Apron depth:	9-1/4"
Left bowl dimensions:	14-1/2" x 16-1/4" x 9"
Right bowl dimensions:	14-1/2" x 16-1/4" x 9"
Drain size:	3-1/2"
Min. cabinet size:	36"
Accessories included:	Stainless steel bottom grids, stainless steel basket strainers, Luster Pro oil
Finishes / Colors:	Bisque, Concrete, White, Black, Grey, Brown



Sinks are listed with IAPMO and meet the requirements of the Uniform Plumbing Code, International Plumbing Code and the National Plumbing Code of Canada.



INSTALLATION METHOD



PROJECT INFORMATION

PROJECT: _____
 CONTACT: _____
 DATE: _____
 NOTES: _____

APPROVAL:

OPTIONAL ACCESSORIES

MODELS	COLOR	STRAINER	FLANGE
• QA-750-WH	White	QBSWH	QDFWH
• QA-750-BI	Bisque	QBSBI	QDFBI
• QA-750-BL	Black	QBSBL	QDFBL
• QA-750-BR	Brown	QBSBR	QDFBR
• QA-750-CN	Concrete	QBSCN	QDFCN
• QA-750-GR	Grey	QBSGR	QDFGR

We reserve the right to update product specifications without notice. Please visit karran.com for the most current specification sheets. All dimensions are accurate to 1/4". REV 5-2022

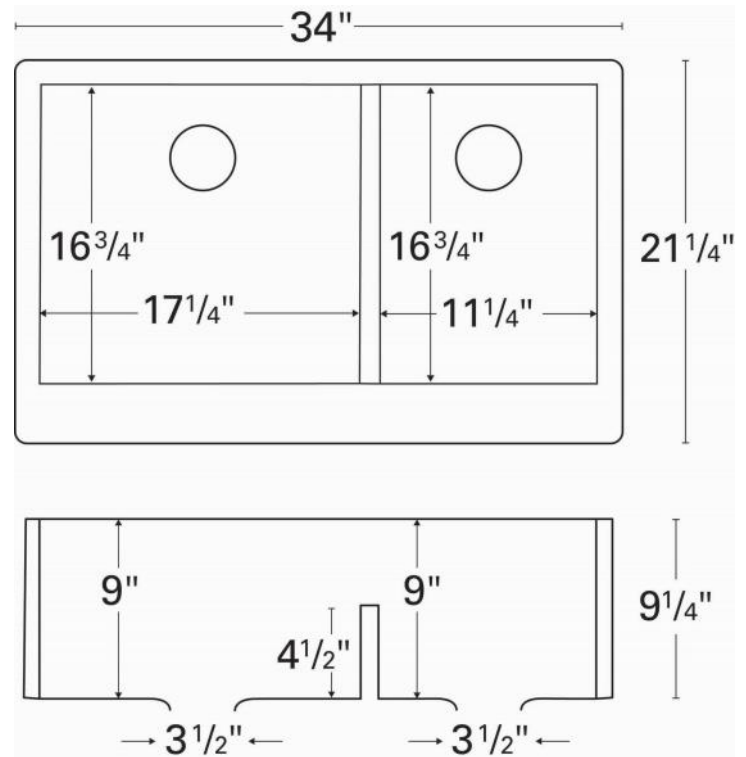
Karran quartz sinks are manufactured from durable quartz composite material that makes them incredibly tough and resilient to even the toughest daily kitchen tasks. They contain 80% natural quartz crystals and 20% high performance acrylic resins. These materials provide high scratch, stain, chip and heat resistance. This under-mount design features a flat, integrated 9-1/4" deep apron.



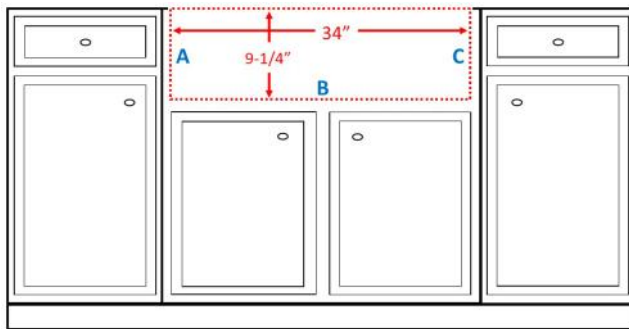
Series:	Quartz QA Series
Material:	80% quartz / 20% acrylic resin
Installation Type:	Apron front
Configuration:	Large/small bowl
Overall dimensions:	34" x 21-1/4"
Apron depth:	9-1/4"
Left bowl dimensions:	17-1/4" x 16-3/4" x 9"
Right bowl dimensions:	11-1/4" x 16-3/4" x 9"
Drain size:	3-1/2"
Min. cabinet size:	36"
Finishes / Colors:	Bisque, Concrete, White, Black, Grey, Brown



Sinks are listed with IAPMO and meet the requirements of the Uniform Plumbing Code, International Plumbing Code and the National Plumbing Code of Canada.



INSTALLATION METHOD



PROJECT INFORMATION

PROJECT: _____
 CONTACT: _____
 DATE: _____
 NOTES: _____

APPROVAL:

OPTIONAL ACCESSORIES

MODELS	COLOR	STRAINER	FLANGE	GRIDS
• QA-760-WH	White	QBSWH	QDFWH	GR-6003, GR-6004
• QA-760-BI	Bisque	QBSBI	QDFBI	GR-6003, GR-6004
• QA-760-BL	Black	QBSBL	QDFBL	GR-6003, GR-6004
• QA-760-BR	Brown	QBSBR	QDFBR	GR-6003, GR-6004
• QA-760-CN	Concrete	QBSCN	QDFCN	GR-6003, GR-6004
• QA-760-GR	Grey	QBSGR	QDFGR	GR-6003, GR-6004

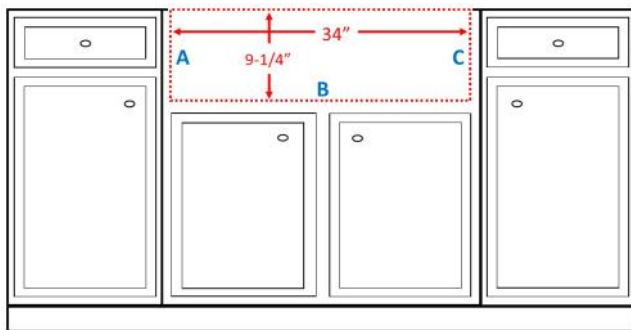
We reserve the right to update product specifications without notice. Please visit karran.com for the most current specification sheets. All dimensions are accurate to 1/4". REV 5-2022

Karran quartz sinks are manufactured from durable quartz composite material that makes them incredibly tough and resilient to even the toughest daily kitchen tasks. They contain 80% natural quartz crystals and 20% high performance acrylic resins. These materials provide high scratch, stain, chip and heat resistance. The under-mount design features a flat, integrated 9-1/4" deep apron. This sink kit comes complete with stainless steel bottom grids, stainless steel basket strainers and Luster Pro oil.

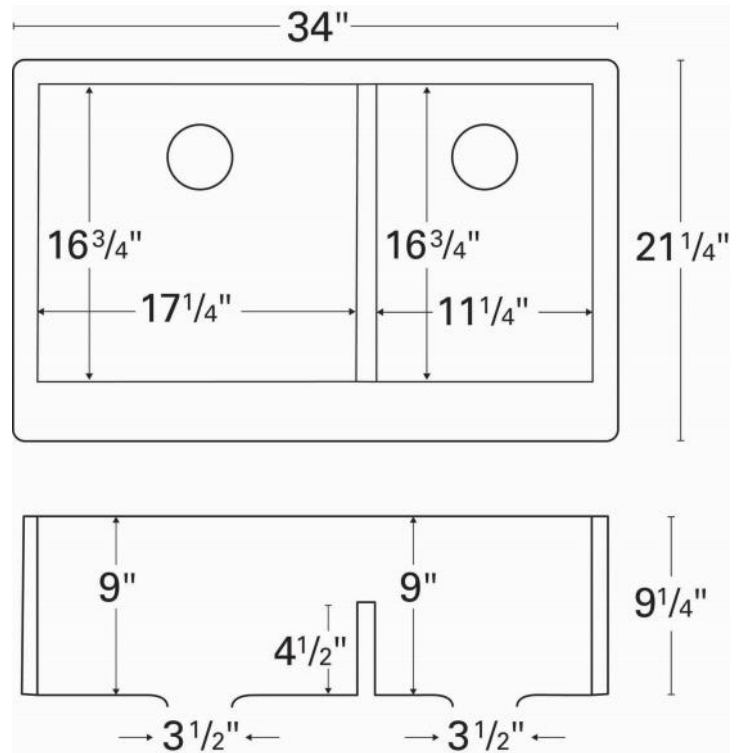
Series:	Quartz QA Series
Material:	80% quartz / 20% acrylic resin
Installation Type:	Apron front
Configuration:	Large/small bowl
Overall dimensions:	34" x 21-1/4"
Apron depth:	9-1/4"
Left bowl dimensions:	17-1/4" x 16-3/4" x 9"
Right bowl dimensions:	11-1/4" x 16-3/4" x 9"
Drain size:	3-1/2"
Min. cabinet size:	36"
Accessories:	Stainless steel bottom grids, stainless steel basket strainers and Luster Pro oil.
Finishes / Colors:	Bisque, Concrete, White, Black, Grey, Brown



INSTALLATION METHOD



Sinks are listed with IAPMO and meet the requirements of the Uniform Plumbing Code, International Plumbing Code and the National Plumbing Code of Canada.



OPTIONAL ACCESSORIES

MODELS	COLOR	STRAINER	FLANGE
• QA-760-WH	White	QBSWH	QDFWH
• QA-760-BI	Bisque	QBSBI	QDFBI
• QA-760-BL	Black	QBSBL	QDFBL
• QA-760-BR	Brown	QBSBR	QDFBR
• QA-760-CN	Concrete	QBSCN	QDFCN
• QA-760-GR	Grey	QBSGR	QDFGR

We reserve the right to update product specifications without notice. Please visit karran.com for the most current specification sheets. All dimensions are accurate to 1/4". REV 5-2022

PROJECT INFORMATION

PROJECT: _____
 CONTACT: _____
 DATE: _____
 NOTES: _____

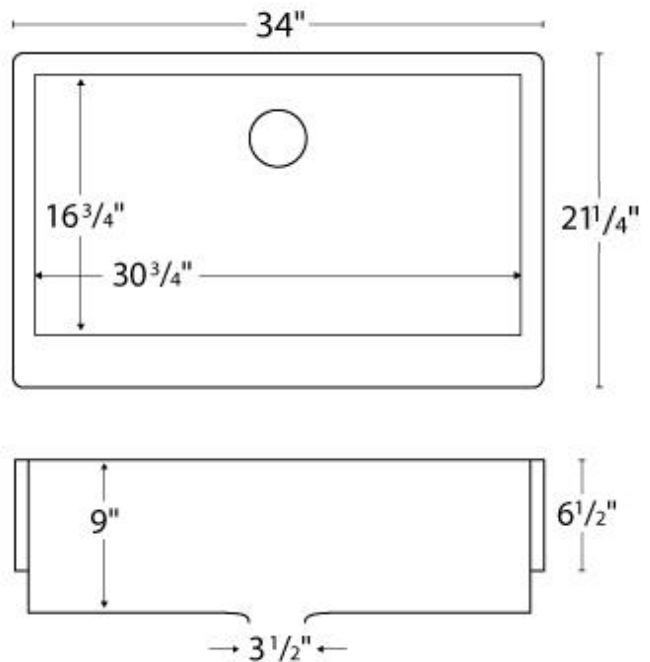
APPROVAL:

Karran quartz sinks are manufactured from durable quartz composite material that makes them incredibly tough and resilient to even the toughest daily kitchen tasks. They contain 80% natural quartz crystals and 20% high performance acrylic resins. These materials provide high scratch, stain, chip and heat resistance. This QAR model is designed to fit into a standard 36" sink base cabinet.

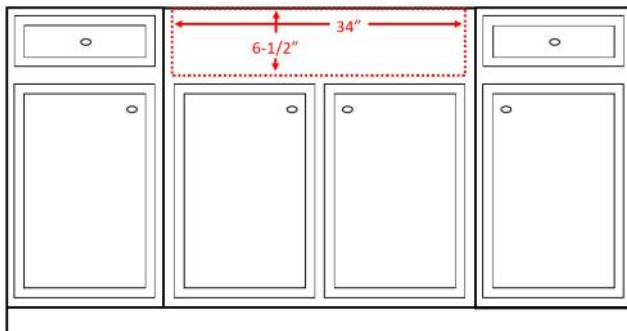
Series:	Quartz QAR Series
Material:	80% quartz / 20% acrylic resin
Installation Type:	Apron front
Configuration:	Single bowl
Overall dimensions:	34" x 21-1/4"
Apron depth:	6-1/2"
Bowl dimensions:	30-3/4" x 16-3/4" x 9"
Drain size:	3-1/2"
Min. cabinet size:	36"
Finishes / Colors:	Bisque, Concrete, White, Black, Grey, Brown



Sinks are listed with IAPMO and meet the requirements of the Uniform Plumbing Code, International Plumbing Code and the National Plumbing Code of Canada.



INSTALLATION METHOD



PROJECT INFORMATION

PROJECT: _____
 CONTACT: _____
 DATE: _____
 NOTES: _____

APPROVAL:

OPTIONAL ACCESSORIES

MODELS	COLOR	STRAINER	FLANGE	GRIDS
• QAR-740-WH	White	QBSWH	QDFWH	GR-6001
• QAR-740-BI	Bisque	QBSBI	QDFBI	GR-6001
• QAR-740-BL	Black	QBSBL	QDFBL	GR-6001
• QAR-740-BR	Brown	QBSBR	QDFBR	GR-6001
• QAR-740-CN	Concrete	QBSCN	QDFCN	GR-6001
• QAR-740-GR	Grey	QBSGR	QDFGR	GR-6001

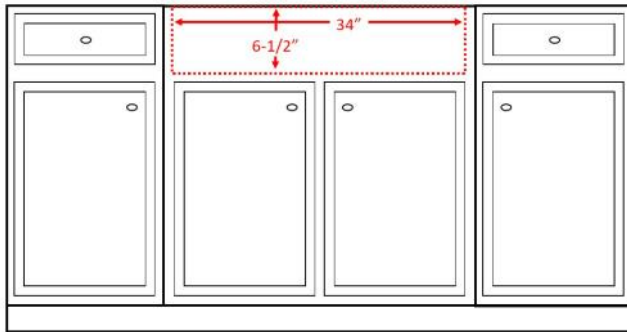
We reserve the right to update product specifications without notice. Please visit karran.com for the most current specification sheets. All dimensions are accurate to 1/4". REV 5-2022

Karran quartz sinks are manufactured from durable quartz composite material that makes them incredibly tough and resilient to even the toughest daily kitchen tasks. They contain 80% natural quartz crystals and 20% high performance acrylic resins. These materials provide high scratch, stain, chip and heat resistance. This QAR model is designed to fit into a standard 36" sink base cabinet and comes complete with stainless steel bottom grid, stainless steel basket strainer and Luster Pro oil.

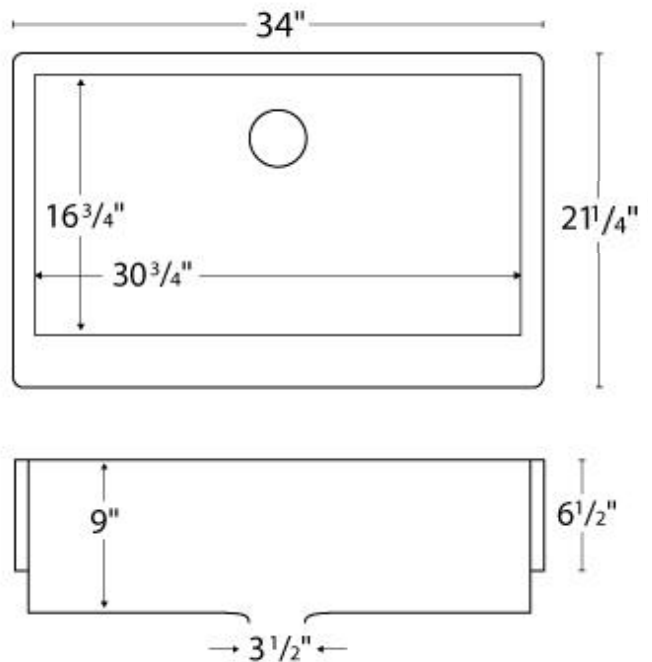
Series:	Quartz QAR Series
Material:	80% quartz / 20% acrylic resin
Installation Type:	Apron front
Configuration:	Single bowl
Overall dimensions:	34" x 21-1/4"
Apron depth:	6-1/2"
Bowl dimensions:	30-3/4" x 16-3/4" x 9"
Drain size:	3-1/2"
Min. cabinet size:	36"
Accessories included:	Stainless steel bottom grid, stainless steel basket strainer, Luster Pro oil
Finishes / Colors:	Bisque, Concrete, White, Black, Grey, Brown



INSTALLATION METHOD



Sinks are listed with IAPMO and meet the requirements of the Uniform Plumbing Code, International Plumbing Code and the National Plumbing Code of Canada.



PROJECT INFORMATION

PROJECT: _____
 CONTACT: _____
 DATE: _____
 NOTES: _____

APPROVAL:

OPTIONAL ACCESSORIES

MODELS	COLOR	STRAINER	FLANGE
• QAR-740-WH	White	QBSWH	QDFWH
• QAR-740-BI	Bisque	QBSBI	QDFBI
• QAR-740-BL	Black	QBSBL	QDFBL
• QAR-740-BR	Brown	QBSBR	QDFBR
• QAR-740-CN	Concrete	QBSCN	QDFCN
• QAR-740-GR	Grey	QBSGR	QDFGR

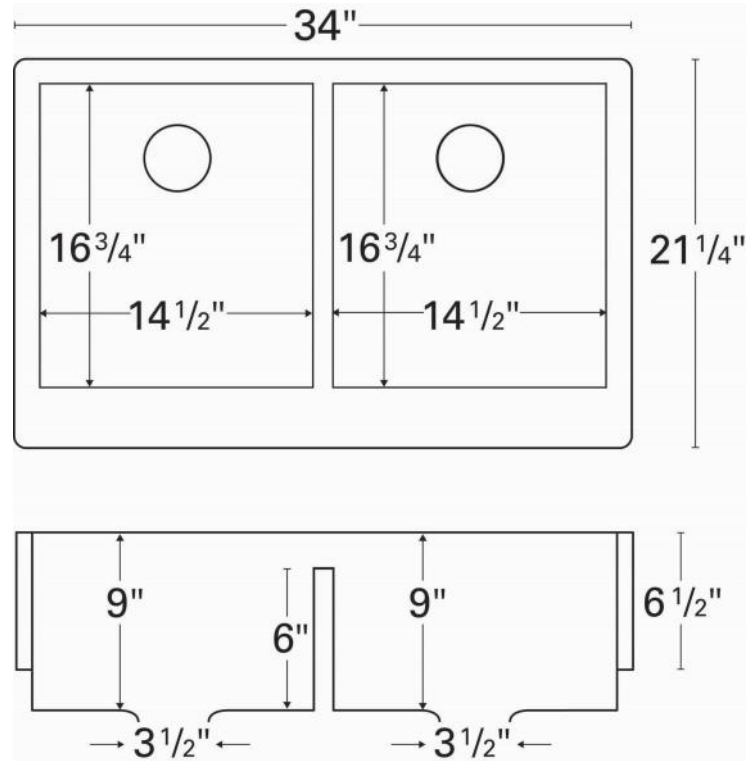
We reserve the right to update product specifications without notice. Please visit karran.com for the most current specification sheets. All dimensions are accurate to 1/4". REV 5-2022

Karran quartz sinks are manufactured from durable quartz composite material that makes them incredibly tough and resilient to even the toughest daily kitchen tasks. They contain 80% natural quartz crystals and 20% high performance acrylic resins. These materials provide high scratch, stain, chip and heat resistance. This QAR model is designed to fit into a standard 36" sink base cabinet.

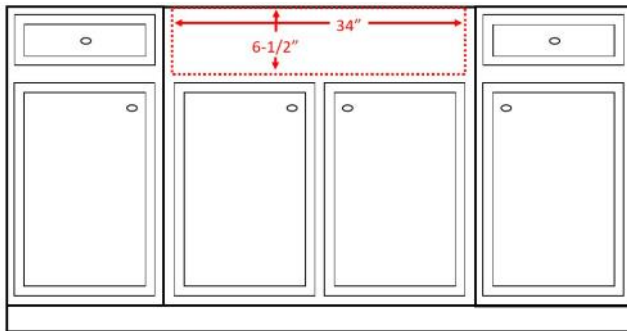
Series:	Quartz QAR Series
Material:	80% quartz / 20% acrylic resin
Installation Type:	Apron front
Configuration:	Double equal bowl
Overall dimensions:	34" x 21-1/4"
Apron depth:	6-1/2"
Left bowl dimensions:	14-1/2" x 16-3/4" x 9"
Right bowl dimensions:	14-1/2" x 16-3/4" x 9"
Drain size:	3-1/2"
Min. cabinet size:	36"
Finishes / Colors:	Bisque, Concrete, White, Black, Grey, Brown



Sinks are listed with IAPMO and meet the requirements of the Uniform Plumbing Code, International Plumbing Code and the National Plumbing Code of Canada.



INSTALLATION METHOD



PROJECT INFORMATION

PROJECT: _____
 CONTACT: _____
 DATE: _____
 NOTES: _____

APPROVAL:

OPTIONAL ACCESSORIES

MODELS	COLOR	STRAINER	FLANGE	GRIDS
• QAR-750-WH	White	QBSWH	QDFWH	GR-6002
• QAR-750-BI	Bisque	QBSBI	QDFBI	GR-6002
• QAR-750-BL	Black	QBSBL	QDFBL	GR-6002
• QAR-750-BR	Brown	QBSBR	QDFBR	GR-6002
• QAR-750-CN	Concrete	QBSCN	QDFCN	GR-6002
• QAR-750-GR	Grey	QBSGR	QDFGR	GR-6002

We reserve the right to update product specifications without notice. Please visit karran.com for the most current specification sheets. All dimensions are accurate to 1/4". REV 5-2022

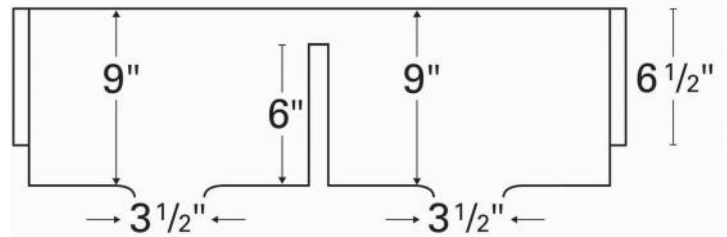
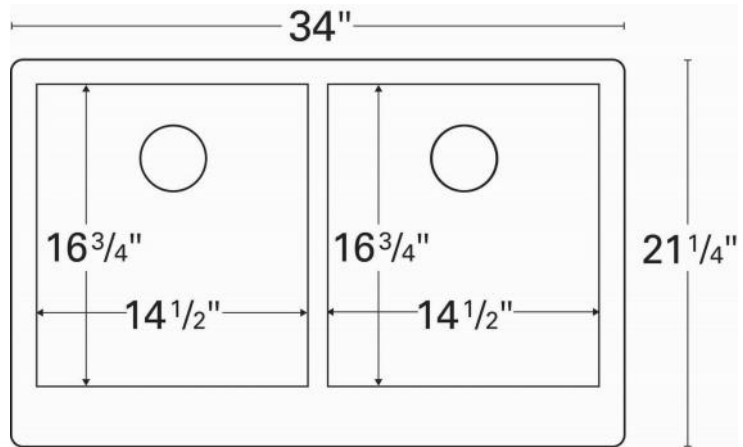
Karran quartz sinks are manufactured from durable quartz composite material that makes them incredibly tough and resilient to even the toughest daily kitchen tasks. They contain 80% natural quartz crystals and 20% high performance acrylic resins. These materials provide high scratch, stain, chip and heat resistance. This QAR model is designed to fit into a standard 36" sink base cabinet and comes complete with stainless steel bottom grids, stainless steel basket strainers and Luster Pro oil.



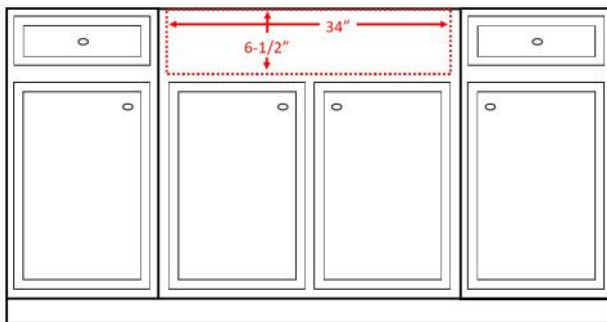
Series:	Quartz QAR Series
Material:	80% quartz / 20% acrylic resin
Installation Type:	Apron front
Configuration:	Double equal bowl
Overall dimensions:	34" x 21-1/4"
Apron depth:	6-1/2"
Left bowl dimensions:	14-1/2" x 16-3/4" x 9"
Right bowl dimensions:	14-1/2" x 16-3/4" x 9"
Drain size:	3-1/2"
Min. cabinet size:	36"
Accessories included:	Stainless steel bottom grids, stainless steel basket strainers and Luster Pro oil.
Finishes / Colors:	Bisque, Concrete, White, Black, Grey, Brown



Sinks are listed with IAPMO and meet the requirements of the Uniform Plumbing Code, International Plumbing Code and the National Plumbing Code of Canada.



INSTALLATION METHOD



PROJECT INFORMATION

PROJECT: _____
 CONTACT: _____
 DATE: _____
 NOTES: _____

APPROVAL:

OPTIONAL ACCESSORIES

MODELS	COLOR	STRAINER	FLANGE
• QAR-750-WH	White	QBSWH	QDFWH
• QAR-750-BI	Bisque	QBSBI	QDFBI
• QAR-750-BL	Black	QBSBL	QDFBL
• QAR-750-BR	Brown	QBSBR	QDFBR
• QAR-750-CN	Concrete	QBSCN	QDFCN
• QAR-750-GR	Grey	QBSGR	QDFGR

We reserve the right to update product specifications without notice. Please visit karran.com for the most current specification sheets. All dimensions are accurate to 1/4". REV 5-2022

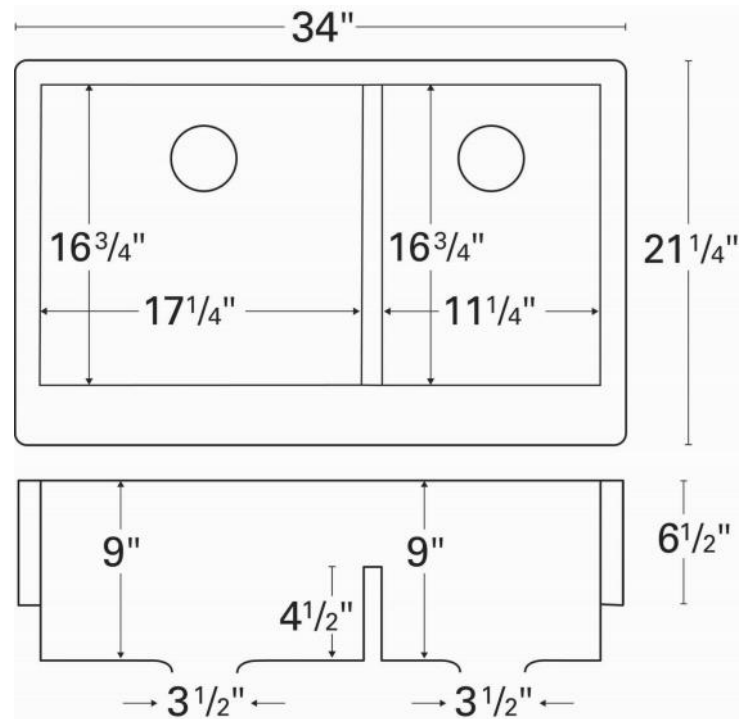
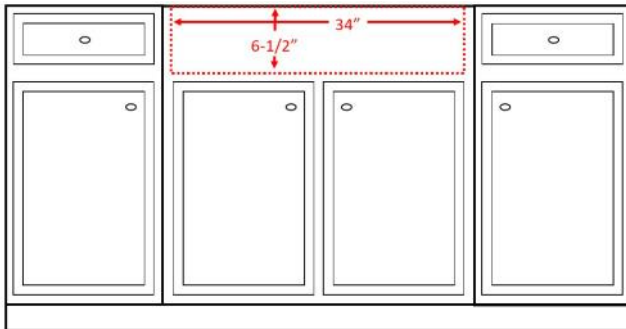
Karran quartz sinks are manufactured from durable quartz composite material that makes them incredibly tough and resilient to even the toughest daily kitchen tasks. They contain 80% natural quartz crystals and 20% high performance acrylic resins. These materials provide high scratch, stain, chip and heat resistance. This QAR model is designed to fit into a standard 36" sink base cabinet.

Series:	Quartz QAR Series
Material:	80% quartz / 20% acrylic resin
Installation Type:	Apron front
Configuration:	Large/small bowl
Overall dimensions:	34" x 21-1/4"
Apron depth:	6-1/2"
Left bowl dimensions:	17-1/4" x 16-3/4" x 9"
Right bowl dimensions:	11-1/4" x 16-3/4" x 9"
Drain size:	3-1/2"
Min. cabinet size:	36"
Finishes / Colors:	Bisque, Concrete, White, Black, Grey, Brown



Sinks are listed with IAPMO and meet the requirements of the Uniform Plumbing Code, International Plumbing Code and the National Plumbing Code of Canada.

INSTALLATION METHOD



PROJECT INFORMATION

PROJECT: _____
 CONTACT: _____
 DATE: _____
 NOTES: _____

APPROVAL:

OPTIONAL ACCESSORIES

MODELS	COLOR	STRAINER	FLANGE	GRIDS
• QAR-760-WH	White	QBSWH	QDFWH	GR-6003, GR-6004
• QAR-760-BI	Bisque	QBSBI	QDFBI	GR-6003, GR-6004
• QAR-760-BL	Black	QBSBL	QDFBL	GR-6003, GR-6004
• QAR-760-BR	Brown	QBSBR	QDFBR	GR-6003, GR-6004
• QAR-760-CN	Concrete	QBSCN	QDFCN	GR-6003, GR-6004
• QAR-760-GR	Grey	QBSGR	QDFGR	GR-6003, GR-6004

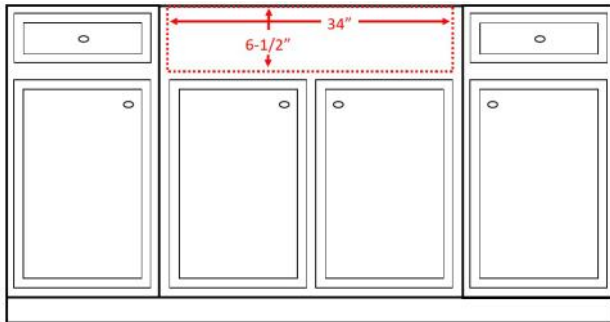
We reserve the right to update product specifications without notice. Please visit [karran.com](http://www.karran.com) for the most current specification sheets. All dimensions are accurate to 1/4". REV 5-2022

Karran quartz sinks are manufactured from durable quartz composite material that makes them incredibly tough and resilient to even the toughest daily kitchen tasks. They contain 80% natural quartz crystals and 20% high performance acrylic resins. These materials provide high scratch, stain, chip and heat resistance. This QAR model is designed to fit into a standard 36" sink base cabinet and comes complete with stainless steel bottom grids, stainless steel basket strainers and Luster Pro oil.

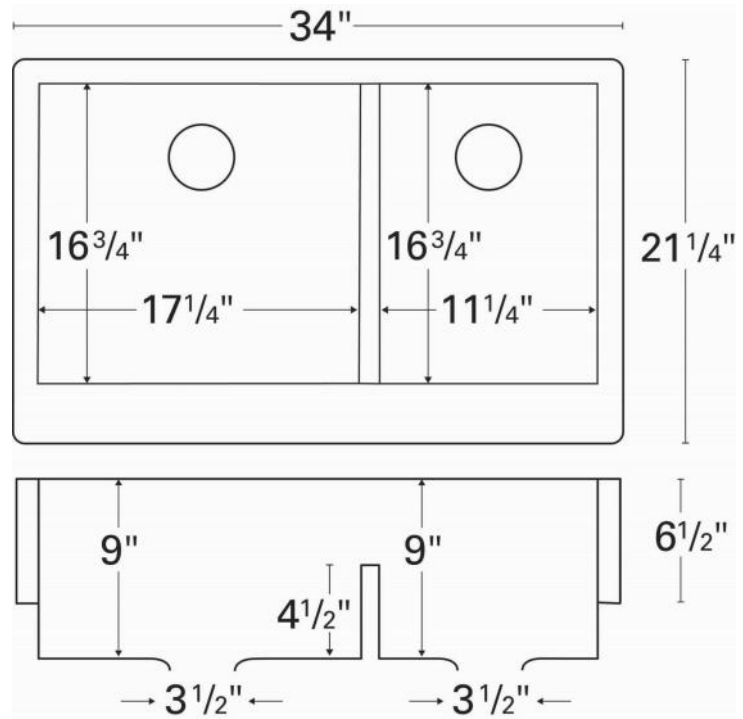
Series:	Quartz QAR Series
Material:	80% quartz / 20% acrylic resin
Installation Type:	Apron front
Configuration:	Large/small bowl
Overall dimensions:	34" x 21-1/4"
Apron depth:	6-1/2"
Left bowl dimensions:	17-1/4" x 16-3/4" x 9"
Right bowl dimensions:	11-1/4" x 16-3/4" x 9"
Drain size:	3-1/2"
Min. cabinet size:	36"
Accessories included:	Stainless steel bottom grids, stainless steel basket strainers, Luster Pro oil
Finishes / Colors:	Bisque, Concrete, White, Black, Grey, Brown



INSTALLATION METHOD



Sinks are listed with IAPMO and meet the requirements of the Uniform Plumbing Code, International Plumbing Code and the National Plumbing Code of Canada.



PROJECT INFORMATION

PROJECT: _____
 CONTACT: _____
 DATE: _____
 NOTES: _____

APPROVAL:

OPTIONAL ACCESSORIES

MODELS	COLOR	STRAINER	FLANGE
• QAR-760-WH	White	QBSWH	QDFWH
• QAR-760-BI	Bisque	QBSBI	QDFBI
• QAR-760-BL	Black	QBSBL	QDFBL
• QAR-760-BR	Brown	QBSBR	QDFBR
• QAR-760-CN	Concrete	QBSCN	QDFCN
• QAR-760-GR	Grey	QBSGR	QDFGR

We reserve the right to update product specifications without notice. Please visit karran.com for the most current specification sheets. All dimensions are accurate to 1/4". REV 5-2022