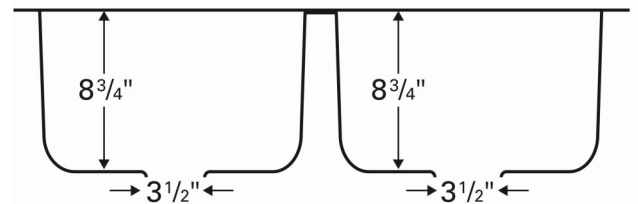
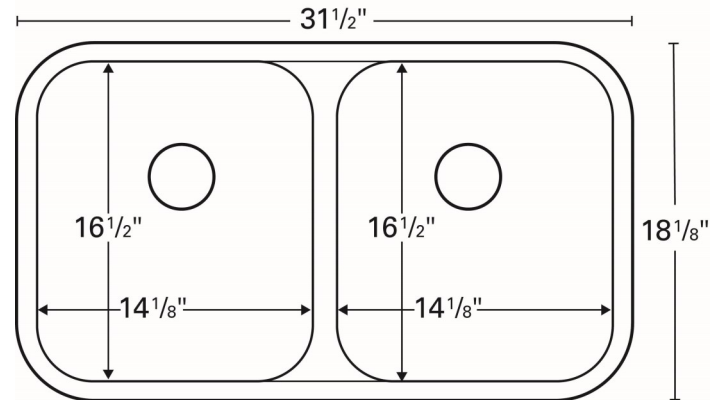


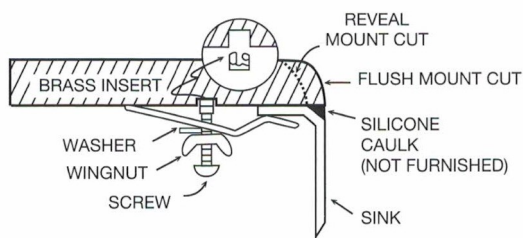
Karran Undermount Series stainless steel kitchen sinks are manufactured from durable 18 gauge stainless steel that makes them tough and resilient to even the toughest daily tasks. Each sink is finished with an elegant soft satin brushed finish that resists and disguises surface scratches. Designed to be undermounted in all types of solid surface, granite and quartz countertops. Comes with basket strainers and bottom grids.



<b>Series:</b>	U Series
<b>Material:</b>	18 Gauge, Type 304 stainless steel
<b>Installation Type:</b>	Undermount
<b>Configuration / Style:</b>	Double equal bowl
<b>Finish:</b>	Soft satin brushed finish
<b>Overall dimensions:</b>	31-1/2" x 18-1/8"
<b>Left bowl dimensions:</b>	14-1/8" x 16-1/2" x 8-3/4"
<b>Right bowl dimensions:</b>	14-1/8" x 16-1/2" x 8-3/4"
<b>Drain size:</b>	3-1/2"
<b>Min. cabinet size:</b>	36"
<b>Template included:</b>	Yes
<b>Clips included:</b>	Yes
<b>Accessories included:</b>	Basket strainers and bottom grids



**INSTALLATION PROFILE**



**PROJECT INFORMATION**

PROJECT: \_\_\_\_\_

CONTACT: \_\_\_\_\_

DATE: \_\_\_\_\_

NOTES: \_\_\_\_\_

\_\_\_\_\_

\_\_\_\_\_

**APPROVAL:**

**OPTIONAL ACCESSORIES**

- Stainless steel basket strainer [L-2]
- Stainless steel disposal flange [L-2DF]

We reserve the right to update product specifications without notice. Please visit [karran.com](http://karran.com) for the most current specification sheets. All dimensions are accurate to 1/4". REV 05-2022