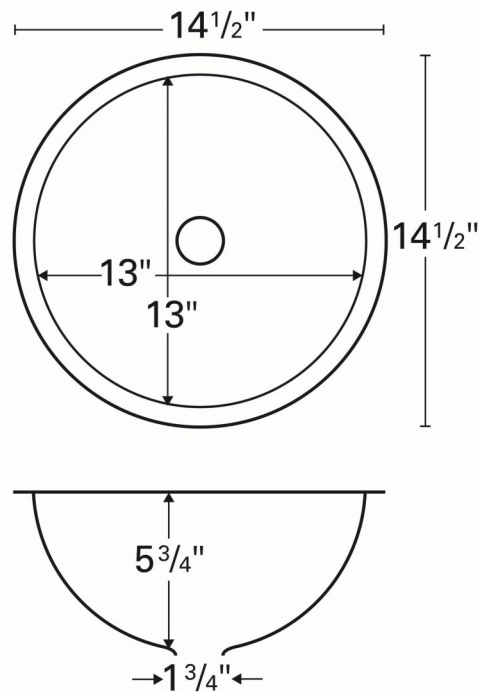
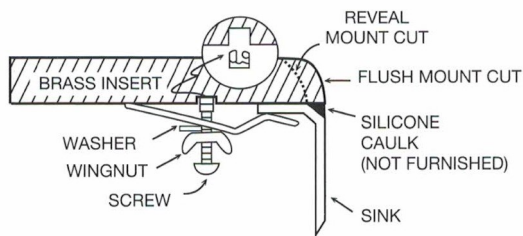


Karran Undermount Series stainless steel sinks are manufactured from durable 18 gauge stainless steel that makes them tough and resilient to even the toughest daily tasks. Each sink is finished with an elegant soft satin brushed finish that resists and disguises surface scratches. Designed to be undermounted in all types of solid surface, granite and quartz countertops.

Series:	U Series
Material:	18 Gauge, Type 304 stainless steel
Installation Type:	Undermount
Configuration / Style:	Vanity bowl
Finish:	Soft satin brushed finish
Overall dimensions:	14-1/2" x 14-1/2"
Inside bowl dimensions:	13" x 13" x 5-3/4"
Drain size:	1-3/4"
Min. cabinet size:	18"
Template included:	Yes
Clips included:	Yes
Accessories included:	None



INSTALLATION PROFILE



PROJECT INFORMATION

PROJECT: _____

CONTACT: _____

DATE: _____

NOTES: _____

APPROVAL:

OPTIONAL ACCESSORIES

- Grid drain with overflow [DRAIN-GRID-OF]
- Pop-up drain without overflow [PU25SS]

We reserve the right to update product specifications without notice. Please visit karran.com for the most current specification sheets. All dimensions are accurate to 1/4". REV 05-2022